



**Electrolux**  
PROFESSIONAL

**PLUS - Static Preparation  
2100 mm Sink Cupboard with 2  
Bowls - Right Drainer**

ITEM # \_\_\_\_\_

MODEL # \_\_\_\_\_

NAME # \_\_\_\_\_

SIS # \_\_\_\_\_

AIA # \_\_\_\_\_



134141 (GLG2126DXP)

Sink cupboard with 2 bowls  
and right-hand drainer,  
2100mm

**Short Form Specification**

Item No. \_\_\_\_\_

Enhanced stability and solid construction thanks to the welded frame and legs. The 50mm high worktop in 304 AISI stainless steel, with Scotch Brite finishing 10/10 mm in thickness, has anti-drip edges, welded corners and overflow rim along the top. 2 welded and polish sink bowls in 304 AISI stainless steel supplied with overflow pipe and 2" drain hole. Upstand h=100mm with 10mm radius corner covered on the back with AISI 304 stainless steel spot welded profile. Square section legs and height adjustable feet (-20 +30 mm) in 304 AISI stainless steel. 40 mm-thick lower welded shelf in AISI 304 stainless steel slots easily into place at a height of 200 mm from the floor (compulsory to install the chest of drawers). Square section legs and height adjustable feet (-20 +30 mm) in 304 AISI stainless steel.

**Main Features**

- Enhanced stability and solid construction. Stability, loading and stress tests by external certified body.
- Product range suitable for international tenders requirements for intense usage installations.

**Construction**

- Welded frame and legs.
- Worktop with 50mm high profile, is in stainless steel Scotch Brite finishing, 10/10 in thickness with anti-drip edges and welded corners and overflow rim along the top.
- Sink bowl is sound-deadened, in polish stainless steel overflow pipe and 2" drain hole.
- Drainers are sound-deadened with stainless steel reinforcement bars.
- Upstand back completely covered with Stainless Steel welded profile.
- Sliding doors are in stainless steel and double-walled with sound-deadening material inside. They are 7/10mm in thickness with roll bearings and end limit stop.
- Door sliding system is fluent and reliable, tested with over 80.000 cycles by external certified body.
- Cupboard interior has easy access thanks to completely openable doors.
- Base panel has 40mm high profile, is 8/10 in thickness with upturned edges and bar reinforcement.
- Height-adjustable stainless steel feet (-20/+30mm).
- Constructed entirely in 304 AISI stainless steel.

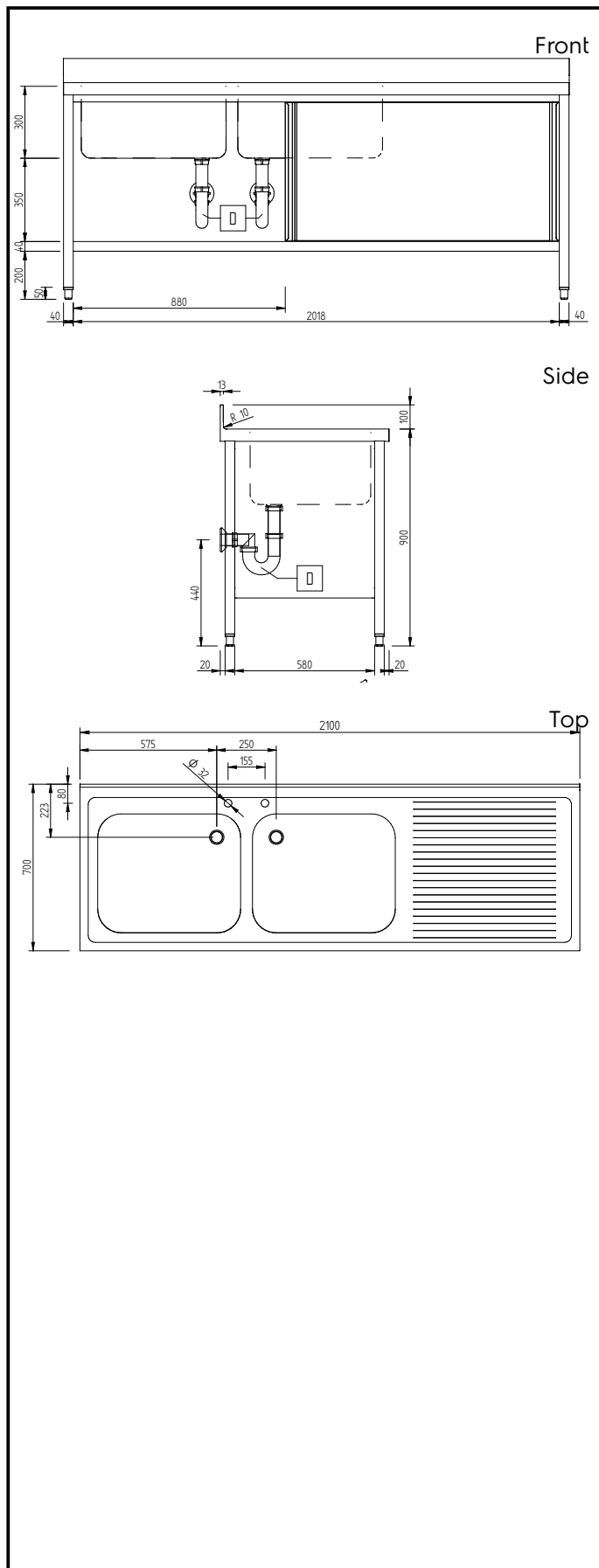
**Optional Accessories**

- Double plastic drain syphon 2 PNC 850022   
" for sinks
- Single plastic drain syphon 2 PNC 895313   
" for sinks

APPROVAL: \_\_\_\_\_



Experience the Excellence  
www.electroluxprofessional.com  
professional@electrolux.com



### Key Information:

External dimensions, Width:	2100 mm
134141 (GLG2126DXP)	2100 mm
External dimensions, Depth:	700 mm
External dimensions, Height:	1000 mm
Upstand Dimensions, Height:	100 mm
Upstand Dimensions, Depth:	13 mm
Upstand Dimensions, Radius:	R=10
Bowls number	2
Bowl dimensions	600x500xH300
Worktop thickness:	50 mm
Net weight:	77 kg